

Vertical Glass Refrigerated Merchandiser Self-Service Model **ESDV-LS et ESDVN-LS**



Applications

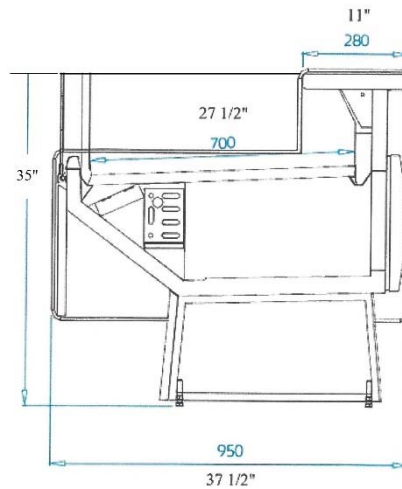
Deli, cheese, sandwiches and prepared foods.

Specifications

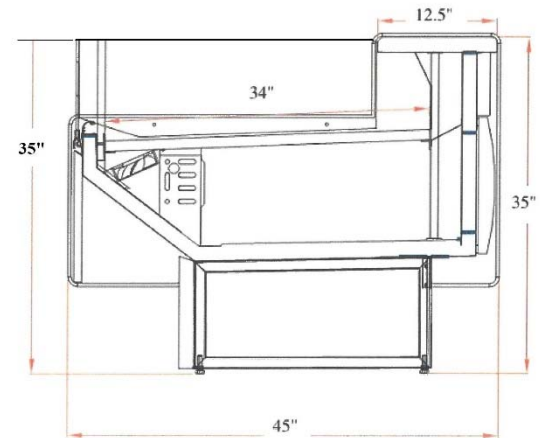
- Large capacity display case with vertical glass.
- With one refrigerated level.
- Stainless steel interior.
- Refrigerated reserve at the back with doors.
- Handy working shelf at the back.
- Electronic temperature control with automatic defrost and evaporation pan.
- Hermetic, air-cooled self-contained condensing unit.
- Ventilated refrigeration system.
- Nominal lengths of: 4', 6', 8', 10' and 12'.
- Foamed-in-place injected polyurethane foam tank, CFC free.

Option:

- Without condensing unit (Remote installation).



ESDVN-LS



ESDV-LS

Model (Narrow)	ESDVN-04-LS	ESDVN-06-LS	ESDVN-08-LS	ESDVN-10-LS	ESDVN-12-LS
Dimensions	49 1/2" x 38" x 35"	73" x 38" x 35"	96 1/2" x 38" x 35"	120 1/2" x 38" x 35"	12'-0" x 38" x 35"
Electricity	110V/1/60	110V/1/60	110V/1/60	110V/1/60	110V/1/60
Operating temp.	34°-45°F	34°-45°F	34°-45°F	34°-45°F	34°-45°F

Model (Std)	ESDV-04-LS	ESDV-06-LS	ESDV-08-LS	ESDV-10-LS	ESDV-12-LS
Dimensions	49 1/2" x 45" x 35"	73" x 45" x 35"	96 1/2" x 45" x 35"	120 1/2" x 45" x 35"	12'-0" x 45" x 35"
Electricity	110V/1/60	110V/1/60	110V/1/60	110V/1/60	110V/1/60
Operating temp.	34°-45°F	34°-45°F	34°-45°F	34°-45°F	34°-45°F

Note: These merchandisers are designed for use in stores where temperature and humidity do not exceed 75°F and 55% R.H.
As continued product improvement is our policy, specifications are subject to change without notice (Rév. 21-01-2023)