

### Options of refrigeration system:

- Conventional condensing unit, hermetic, air-cooled with evaporation unit.
- *Monoblock* type system with rooftop or wall mount installation. Self-contained system including condensing unit and evaporator. No drain required.
- Outdoor condensing unit with accessories.

### Applications:

- C-Stores, supermarkets, food processing plants, pharmaceutical.
- Laboratories, refrigerated warehouses, environmental rooms.



**BUY DIRECTLY FROM  
THE MANUFACTURER**

# WALK-IN ROOMS

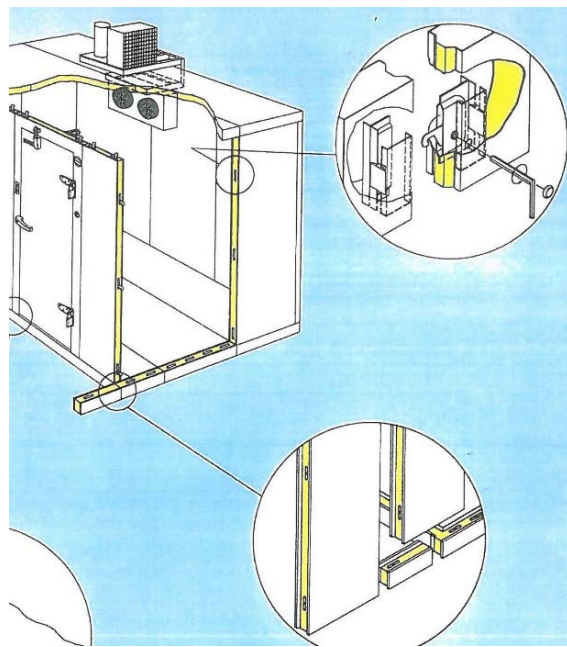
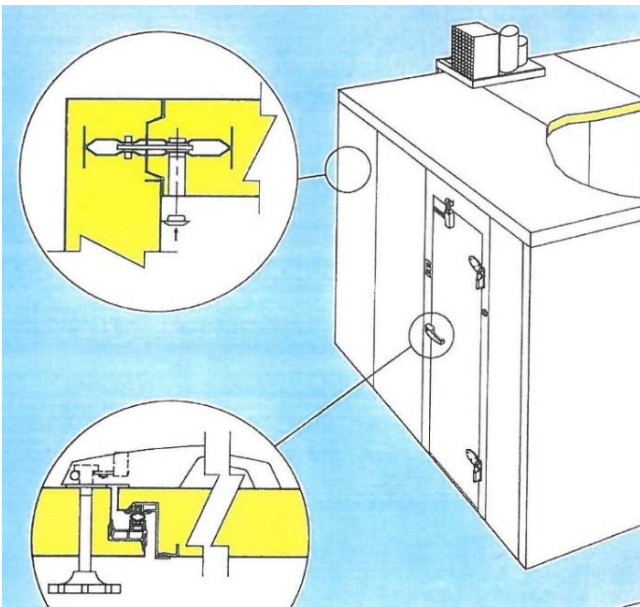
### What we offer:

- Quality of finish.
- Competitive prices.
- Fast and quality installation.
- Fast delivery.
- Warranty.
- Walk-in rooms for C-Stores with *Tecnodor* hinged glass doors.



5040 Thimens Blvd, St-Laurent (QC) H4R 2B2  
Tel.: 514-270-7181 Fax: 514-270-7450  
refrigerationequipementdepot.com





**Characteristics:**

- The camlock device ensures a simple and solid assembly, with perfect panel alignment.
- Rooms are available with sliding doors and hinged doors with standard accessories.
- Walk-in rooms can be built with 26 ga white prepainted steel (or color) finish, aluminum, galvanized steel or stainless steel.
- Available panel thickness of 3" and 4".



**Technical specifications:**

- Factor K of polyurethane foam is : 0.126 BTU in./sq.ft. x hour x °F.
- When converted in Factor R, ratio is R 24 for a 3" thick panel and R 32 for a 4" thick panel.
- Thermal conductivity: 0.126 BTU in./sq.ft. x hour x °F. Thermal resistance: 8.

Rev. 23-04-2019

