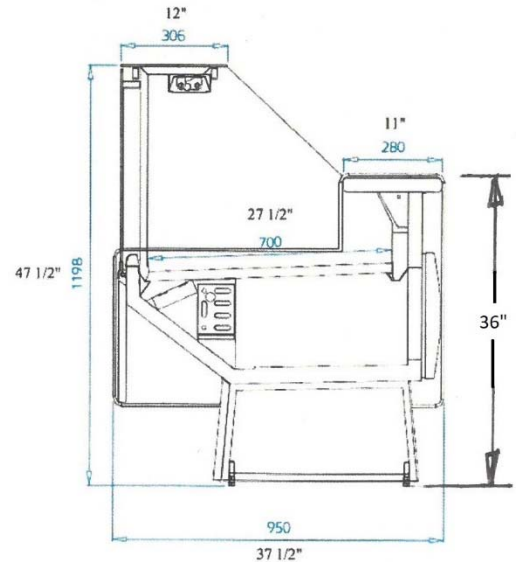


# Square Glass Refrigerated Merchandiser ESDVN (Narrow Model)



### Features & Benefits

Large capacity display case with vertical glass for pastries, chocolate, prepared meals, deli, cheese.  
 Dimensions: 38" depth x 48" high. With one refrigerated level. Stainless steel interior with T8 interior lighting.  
 Refrigerated storage at rear with doors. Practical work table at the back.  
 Electronic temperature control with automatic defrost and evaporation pan.  
 Self-contained compressor (available with remote installation).

Specifications subject to change without notice. (Rev. 04-11-2022)

Model	ESDVN-04	ESDVN-06	ESDVN-08	ESDVN-10	ESDVN-12
Total length	49 1/2"	73"	96 1/2"	120 1/2"	143 3/4"