

Square Glass Refrigerated Merchandiser Model ESDV



Applications

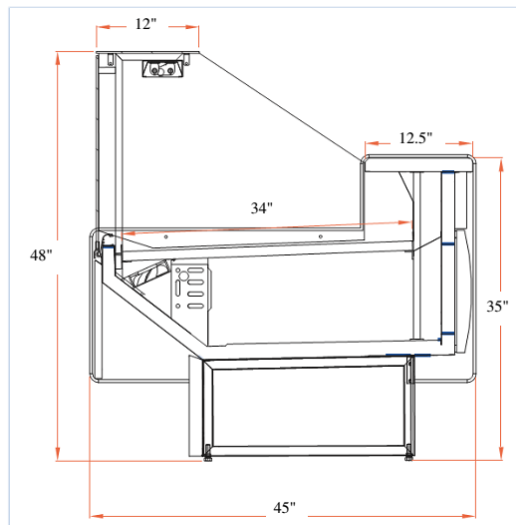
Pastries, chocolate, deli, cheese, sandwiches and prepared meals.

Characteristics

- Large capacity display with vertical glass.
- Dimensions: 45" depth x 48" high.
- With one refrigerated level.
- Stainless steel interior.
- T8 Interior lighting.
- Refrigerated reserve at the back with doors.
- Practical work table at the back.
- Electronic temperature control with automatic defrost and evaporation pan.
- Self-contained condensing unit, hermetic, air-cooled.
- Ventilated refrigeration system.
- Available lengths: 4'-0", 6'-0", 8'-0", 10'-0" & 12'-0".
- Foamed-in-place polyurethane tub, without CFC.

Options

- Without compressor (Remote installation).
- Hot Food Table with heated wells.
- Self-Service Merchandiser (LS Model).
- Prepainted steel finish (Choice of colors).
- LED Lighting.
- Personalized facade, laminated wood or others.
- Units can be assembled in a multiplexed lineup.
- Non refrigerated mezzanine shelf.



Model	ESDV-04	ESDV-06	ESDV-08	ESDV-10	ESDV-12
Dimensions	49 1/2" x 45" x 48"	6'-1" x 45" x 48"	8'-1/2" x 45" x 48"	10'-1/2" x 45" x 48"	12'-0" x 45" x 48"
Electrical	110V/1/60	110V/1/60	110V/1/60	110V/1/60	110V/1/60
Operat. Temp.	34°-45°F	34°-45°F	34°-45°F	34°-45°F	34°-45°F
Condens. Unit	1/3 HP	1/2 HP	1/2 HP	3/4 HP	3/4 HP
Required BTUH	2900	3850	3850	5800	5800

Note: These merchandisers are designed for use in stores where temperature and humidity do not exceed 75°F and 55% R.H.
 As continued product improvement is our policy, specifications are subject to change without notice (Rév. 18-01-2023)