

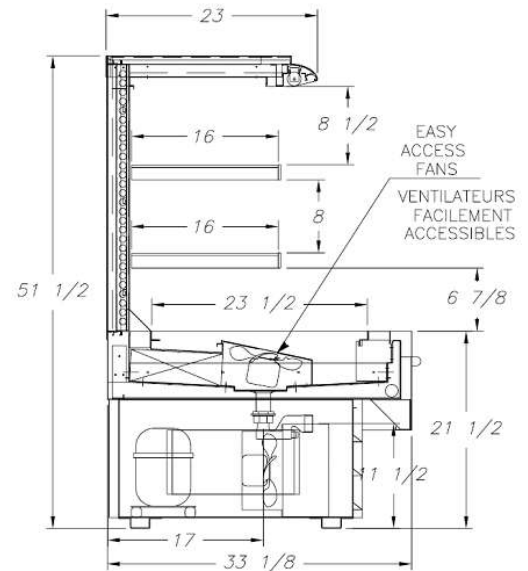
# Self-Service Refrigerated Display Case Model Delice DS



**Applications:** sandwiches, dairy products, juice, cheese, delicatessen, soft drinks and prepared meals.

### Specifications:

- Versatile display case with a sturdy stainless steel construction.
- Forced Air refrigeration system.
- With 2 adjustable glass shelves (16" width) and bottom section.
- Self-contained compressor.
- Electronic temperature control, automatic defrost and evaporation pan (no floor drain required).
- Insulation: Foamed-in-place high density polyurethane, CFC-free.
- Lighted canopy.
- Panoramic side glass.
- Option: Model DSR with a remote condensing unit.



Model	DS-03	DS-04	DS-05	DS-06
Dimensions (LxDxH)	39" x 33" x 52"	51" x 33" x 52"	63" x 33" x 52"	75" x 33" x 52"
Electricity	115V/1/60	115V/1/60	115V/1/60	115V/1/60
Operating temperature	34°-45°F	34°-45°F	34°-45°F	34°-45°F
Defrost	Automatic	Automatic	Automatic	Automatic
Amps (MFS)	12A (15A)	18A (20A)*	20A (30A)*	23A (30A)*
Refrigerant	R134a	R134a	R134a	R134a
Condensing unit Cap.	1/2 HP	1/2 HP	3/4 HP	3/4 HP

Specifications subject to change without notice. \*Permanent connection with junction box. MFS: Maximum Fuse Size. (Rev: 25-02-2020)